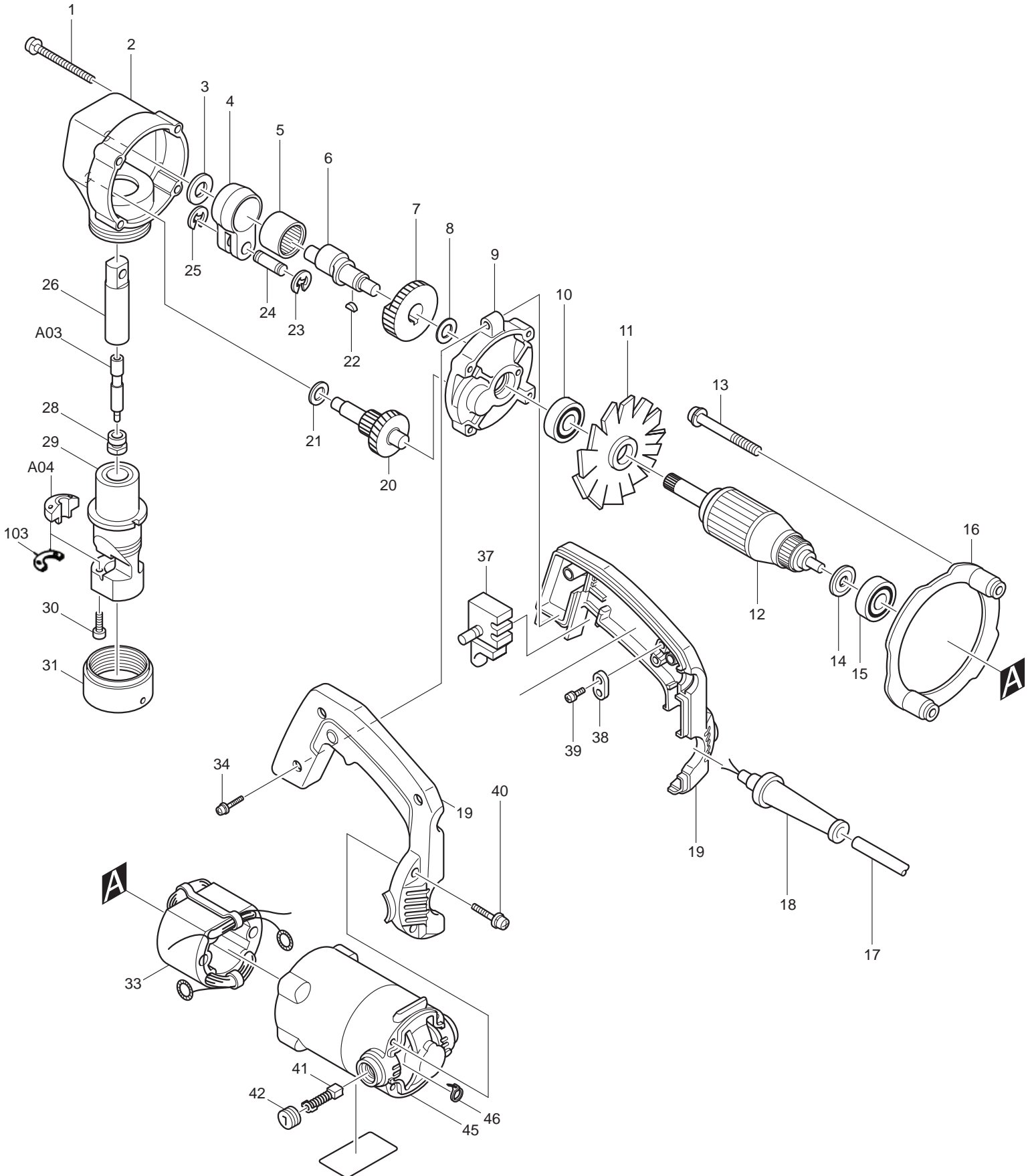




04 - 2010
JN3200
10 GAUGE NIBBLER



Item No	Type	Ref	Part No	Description	Qty	Unit
1			911271-3	PAN HEAD SCREW M5X50	4	PC.
2			156838-2	GEAR HOUSING	1	PC.
		INC.	212117-9	NEEDLE BEARING 1216	1	PC.
		INC.	214001-4	PLANE BEARING 8	1	PC.
		INC.	256725-6	PIN 2.5	1	PC.
3			253759-0	FLAT WASHER 12	1	PC.
4			331167-6	ROD	1	PC.
5			212306-6	NEEDLE BEARING 2020	1	PC.
6			321408-8	CRANK SHAFT	1	PC.
7			221880-3	SPUR GEAR 44	1	PC.
8			253758-2	FLAT WASHER 10	1	PC.
9			156833-2	GEAR HOUSING COVER	1	PC.
		INC.	263002-9	RUBBER PIN 4	1	PC.
		INC.	212061-0	NEEDLE BEARING 1010	1	PC.
		INC.	212063-6	NEEDLE BEARING 1012	1	PC.
10			211033-2	BALL BEARING 608LB	1	PC.
11			241517-6	FAN 70	1	PC.
12	2		512756-8	ARMATURE ASS'Y 115V (OLD# 612756-9)	1	PC.
		INC.		Item No. 10, 11, 14, 15	1	PC.
13			911681-4	P.H. SCREW M5X60 (OLD# 251361-3, 925283-0)	2	PC.
14			681613-2	INSULATION WASHER	1	PC.
15			211033-2	BALL BEARING 608LB	1	PC.
16			411876-4	BAFFLE PLATE	1	PC.
17			664064-4	CORD W/PLUG 2P-18-2.5M, SJ	1	PC.
18			682502-4	CORD GUARD 8-85	1	PC.
19			181441-0	HANDLE SET	1	SET
20			226060-6	GEAR COMPLETE 15-46	1	PC.
21			253215-0	FLAT WASHER 8	1	PC.
22			254001-2	WOODRUFF KEY 4	1	PC.
23			961013-5	STOP RING E-7	1	PC.
24			321418-5	PIN 9	1	PC.
25			961013-5	STOP RING E-7	1	PC.
26			152486-5	PUNCH HOLDER COMPLETE *	1	PC.
		INC.	951010-9	SPRING PIN 2-14	1	PC.
28			321406-2	SCREW	1	PC.
29			152176-0	DICE HOLDER COMPLETE	1	PC.
		INC.	214207-4	PLANE BEARING 16	2	PC.
30			922127-5	HEX. SOCKET HEAD BOLT M4X16	2	PC.
31			321415-1	LOCK NUT	1	PC.
33	1		622551-9	FIELD ASS'Y 115V	1	PC.
		INC.	654501-6	CONNECTOR P-1.25	2	PC.
		INC.	654019-7	RING TERMINAL	2	PC.
	2		522551-8	FIELD ASS'Y 115V	1	PC.
		INC.	654501-6	CONNECTOR P-1.25	2	PC.
		INC.	654019-7	RING TERMINAL	2	PC.
34			911243-8	PAN HEAD SCREW M5X25	3	PC.
37			651225-5	SWITCH (TRIGGER)	1	PC.
38			687002-9	STRAIN RELIEF (F/SJ CORD)	1	PC.
			687001-1	STRAIN RELIEF (F/SJT CORD)	1	PC.
39			911133-5	PAN HEAD SCREW M4X18 (OLD# 911131-9)	2	PC.
40			911243-8	PAN HEAD SCREW M5X25	4	PC.
41	1		191945-4	CARBON BRUSH CB-124 2PC/SET (W/O ORIGIN)	1	SET
	2		194982-7	CARBON BRUSH CB-124 2PC/SET (W/ ORIGIN)	1	SET
42			643600-9	BRUSH HOLDER CAP 6-10	2	PC.
		INC.	643609-1	BRUSH HOLDER 6-10 (OLD#643603-3)	2	PC.

Item No	Type	Ref	Part No	Description	Qty	Unit
45			156734-4	MOTOR HOUSING	1	PC.
		INC.	263014-2	RUBBER PIN 4	1	PC.
46			687010-0	BAND	1	PC.
50			410048-8	WRENCH HOLDER F/384	1	PC.
51			819001-5	MAKITA LABEL, ENG	1	PC.
100			652008-6	(+) P.H. SCREW M3.5X7	4	PC.
101			654037-5	INSULATED EYE TERMINAL FT1.25-M3	4	PC.
103	Opt.		341796-7	WASHER (SHIM)	1	PC.
(Qty as required, see Instruction Manual Page 5-11)						

ACCESSORIES

- See Catalogue or visit www.makita.ca for more accessories -

A01			783201-2	HEX. WRENCH 3	1	PC.
A02			781019-5	WRENCH 50	1	PC.
A03			792728-1	PUNCH	1	PC.
A04			792292-2	DIE	1	PC.
A05			181797-1	STEEL CARRYING CASE	1	PC.

SERVICE CHANGES

Item No.	Description	Type 1	Type 2
26	Punch Holder / Punch Holder Com.	321407-0	152486-5 (Incl. 951010-9)
A03	Punch	792291-4 (N/L/A)	792728-1
	Serial No.	-25230	25230 -

Above parts are completely interchangeable as a set.